

Vinten Price List

Camera Supports 2009 Version 2

Effective April 1, 2009

www.vinten.com

Vinten

simply perfection



Protouch Heads, Systems & Accessories	2
Protouch Pro-5 ^{Plus}	
Protouch Pro-6 ^{HDV}	
Protouch Pro-10	
Protouch Dolly	
Protouch Accessories	
Vision® Lightweight Heads & Systems	3-4
● Vision 3AS	
● Vision 5AS	
● Vision 8AS	
● Vision 10AS	
Vision 100	
Vision 250	
Vision Lightweight Accessories, Adaptors & Cases	5-6
Tripods, Spreaders & Dollies	7-8
Pozi-Loc Tripods	
Carrying Straps	
Spreaders	
ENG/EFP Skids/Dollies	
Heavy Duty Tripods/Skids	
Heavy Duty Tripod Accessories	
Studio/OB Heads	9
Vector® Pan & Tilt Heads	
Studio/OB Head Accessories	10
Studio/OB Pedestals	11
Vision Ped Plus	
Pro-Ped	
Osprey	
Quartz	
Quattro	
Studio/OB Pedestal Accessories	12

Contents

Protouch Heads, Systems & Accessories

Part No.	Description	Max Capacity lbs	Item Weight lbs	List \$	Cat.
Protouch Pro-5^{Plus}					
Pro-5AP1F	Pro-5 ^{Plus} Head, Single Stage Aluminum Pozi-Loc Tripod, Floor Spreader and Soft Case (*available from March 2009)	4.5	12.0	995	L
Protouch Pro-6^{HDV}					
V4018-0001	Pro-6 ^{HDV} Pan and Tilt Head (75mm ball base) with one Pan Bar	13.2	4.8	565	L
Pro-6HDVF	Pro-6 ^{HDV} , Two-Stage Aluminum Pozi-Loc Tripod, Floor Spreader and Soft Case	13.2	16.2	1,145	L
Pro-6HDVM	Pro-6 ^{HDV} , Two-Stage Aluminum Pozi-Loc Tripod, Mid-level Spreader and Soft Case	13.2	16.0	1,225	L
Protouch Pro-10					
3809-3	Pro-10 Pan and Tilt Head (75mm ball base) with one Pan Bar	22.0	5.2	970	L
Pro-10DC	Pro-10, Two-Stage Aluminum Pozi-Loc Tripod, Floor Spreader and Soft Case	22.0	18.1	1,775	L

Protouch Dolly

U005-103	PD114 Dolly with cable guards	88.2	11.5	445	L
----------	-------------------------------	------	------	-----	---

Protouch Accessories

V4032-0001	Protouch Mid-Level Spreader		1.3	315	L
3808-900SP	Camera mounting plate for Pro-5 ^{Plus} and Pro-6 ^{HDV} with 1 x 1/4" screw, 1 x 3/8" screw and locating pin		0.2	85	L
3809-900SP	Camera mounting plate for Pro-10 with 2 x 1/4" screw, 1 x 3/8" screw and locating pin		0.4	85	L
U005-620	Second Pan Bar for Pro-5 ^{Plus}		0.7	170	L
3219-104	Second Pan Bar for Pro-6 ^{HDV} and Pro-10		0.7	170	L
U005-621	Soft Case for Pro-5 ^{Plus} System		3.3	175	L
U005-190	Soft Case for Pro-6 ^{HDV} and Pro-10 Systems		3.3	175	L
3330-35	Protouch Bowl Clamp Knob		0.2	30	L

Vision Lightweight Heads & Systems

Part No.	Description	Max Capacity lbs	Item Weight lbs	List \$	Cat.
NEW Vision 3AS 75 mm ball base, for professional lightweight camcorders in counterbalance range 4.4-11 lbs					
V4043-0001	Vision 3AS Head (75 mm ball base, incl. 1 pan bar, camera plate and bowl clamp) - Black	11	6.2	1,225	L
V3AS-AP1F	Vision 3AS (V4043-0001) Single Stage Aluminum Pozi-Loc Tripod (V3822-0001) Spreader (3363-3) Soft Case (3334-3)	11	17.7	2,220	L
V3AS-AP1M	Vision 3AS (V4043-0001) Single Stage Aluminum Pozi-Loc Tripod (V3822-0001) Spread-Loc (3781-3) Soft Case (3334-3)	11	17.9	2,600	L
V3AS-AP2F	Vision 3AS (V4043-0001) Two-Stage Aluminum Pozi-Loc Tripod (3819-3) Spreader (3363-3) Soft Case (3358-3)	11	18.2	2,435	L
V3AS-AP2M	Vision 3AS (V4043-0001) Two-Stage Aluminum Pozi-Loc Tripod (3819-3) Spread-Loc (3781-3) Soft Case (3358-3)	11	18.5	2,815	L
V3AS-CP1F	Vision 3AS (V4043-0001) Single-Stage CF Pozi-Loc Tripod (3777-3) Spreader (3363-3) Soft Case (3334-3)	11	16.4	2,955	L
V3AS-CP1M	Vision 3AS (V4043-0001) Single-Stage CF Pozi-Loc Tripod (3777-3) Spread-Loc (3781-3) Soft Case (3334-3)	11	16.8	3,335	L
V3AS-CP2F	Vision 3AS (V4043-0001) Two-Stage CF Pozi-Loc Tripod (3776-3) Spreader (3363-3) Soft Case (3358-3)	11	17.0	3,330	L
V3AS-CP2M	Vision 3AS (V4043-0001) Two-Stage CF Pozi-Loc Tripod (3776-3) Spread-Loc (3781-3) Soft Case (3358-3)	11	17.2	3,710	L

NEW Vision 5AS 75 mm ball base, for portable cameras and one-piece camcorders in counterbalance range 10-23.1 lbs					
V4044-0001	Vision 5AS Head (75 mm ball base, incl. 1 pan bar, camera plate and bowl clamp) - Black	23.1	6.2	2,110	L
V5AS-AP1F	Vision 5AS (V4044-0001) Single Stage Aluminum Pozi-Loc Tripod (V3822-0001) Spreader (3363-3) Soft Case (3334-3)	23.1	17.7	3,440	L
V5AS-AP1M	Vision 5AS (V4044-0001) Single Stage Aluminum Pozi-Loc Tripod (V3822-0001) Spread-Loc (3781-3) Soft Case (3334-3)	23.1	18.1	3,820	L
V5AS-AP2F	Vision 5AS (V4044-0001) Two-Stage Aluminum Pozi-Loc Tripod (3819-3) Spreader (3363-3) Soft Case (3358-3)	23.1	18.2	3,600	L
V5AS-AP2M	Vision 5AS (V4044-0001) Two-Stage Aluminum Pozi-Loc Tripod (3819-3) Spread-Loc (3781-3) Soft Case (3358-3)	23.1	18.7	3,980	L
V5AS-CP1F	Vision 5AS (V4044-0001) Single-Stage CF Pozi-Loc Tripod (3777-3) Spreader (3363-3) Soft Case (3334-3)	23.1	16.4	3,840	L
V5AS-CP1M	Vision 5AS (V4044-0001) Single-Stage CF Pozi-Loc Tripod (3777-3) Spread-Loc (3781-3) Soft Case (3334-3)	23.1	17.0	4,220	L
V5AS-CP2F	Vision 5AS (V4044-0001) Two-Stage CF Pozi-Loc Tripod (3776-3) Spreader (3363-3) Soft Case (3358-3)	23.1	17.0	4,195	L
V5AS-CP2M	Vision 5AS (V4044-0001) Two-Stage CF Pozi-Loc Tripod (3776-3) Spread-Loc (3781-3) Soft Case (3358-3)	23.1	17.4	4,575	L

NEW Vision 8AS 100 mm ball base, for portable camera combinations in counterbalance range 12.1-27.6 lbs					
V4045-0001	Vision 8AS Head (100 mm ball base, incl. 1 pan bar, camera plate and bowl clamp) - Black	27.6	6.8	3,530	L
V8AS-AP1F	Vision 8AS (V4045-0001) Single Stage Aluminum Pozi-Loc Tripod (V3823-0001) Spreader (3363-3) Soft Case (3334-3)	27.6	18.3	4,910	L
V8AS-AP1M	Vision 8AS (V4045-0001) Single Stage Aluminum Pozi-Loc Tripod (V3823-0001) Spread-Loc (3781-3) Soft Case (3334-3)	27.6	18.7	5,290	L
V8AS-AP2	Vision 8AS (V4045-0001) Two-Stage Aluminum Pozi-Loc Tripod (3821-3) Spreader (3363-3) Soft Case (3358-3)	27.6	18.7	5,255	L
V8AS-AP2M	Vision 8AS (V4045-0001) Two-Stage Aluminum Pozi-Loc Tripod (3821-3) Spread-Loc (3781-3) Soft Case (3358-3)	27.6	19.2	5,635	L

Vision Lightweight Heads & Systems

Part No.	Description	Max Capacity lbs	Item Weight lbs	List \$	Cat.
NEW Vision 8AS continued					
V8AS-CP1F	Vision 8AS (V4045-0001) Single-Stage CF Pozi-Loc Tripod (3773-3) Spreader (3363-3) Soft Case (3334-3)	27.6	17.0	5,270	L
V8AS-CP1M	Vision 8AS (V4045-0001) Single-Stage CF Pozi-Loc Tripod (3773-3) Spread-Loc (3781-3) Soft Case (3334-3)	27.6	17.4	5,650	L
V8AS-CP2F	Vision 8AS (V4045-0001) Two-Stage CF Pozi-Loc Tripod (3772-3) Spreader (3363-3) Soft Case (3358-3)	27.6	17.4	5,625	L
V8AS-CP2M	Vision 8AS (V4045-0001) Two-Stage CF Pozi-Loc Tripod (3772-3) Spread-Loc (3781-3) Soft Case (3358-3)	27.6	18.1	6,005	L
NEW Vision 10AS 100 mm ball base, for portable cameras in ENG configuration in counterbalance range 14.3-32 lbs					
V4046-0001	Vision 10AS Head (100 mm ball base, incl. 1 telescopic pan bar, camera plate and bowl clamp) - Black	32	7.0	4,390	L
V10AS-AP2F	Vision 10AS (V4046-0001) Two-Stage Aluminum Pozi-Loc Tripod (3821-3) Spreader (3363-3) Soft Case (3358-3)	32	18.9	6,115	L
V10AS-AP2M	Vision 10AS (V4046-0001) Two-Stage Aluminum Pozi-Loc Tripod (3821-3) Spread-Loc (3781-3) Soft Case (3358-3)	32	19.4	6,495	L
V10AS-CP2F	Vision 10AS (V4046-0001) Two-Stage CF Pozi-Loc (3772-3) Spreader (3363-3) Soft Case (3358-3)	32	17.7	6,485	L
V10AS-CP2M	Vision 10AS (V4046-0001) Two-Stage CF Pozi-Loc (3772-3) Spread-Loc (3781-3) Soft Case (3358-3)	32	18.3	6,865	L
Vision 100 100 mm ball base, for cameras in ENG and EFP configuration in counterbalance range 15.4-44 lbs					
3466-3	Vision 100 Head (100 mm ball base, incl. 1 telescopic pan bar, camera plate and bowl clamp) - Black	44.1	7.1	5,750	L
VB100-AP2	Vision 100 (3466-3) Two-Stage Aluminum Pozi-Loc Tripod (3821-3) Spreader (3363-3) Soft Case (3340-3)	44.1	23.4	7,635	L
VB100-AP2M	Vision 100 (3466-3) Two-Stage Aluminum Pozi-Loc Tripod (3821-3) Spread-Loc (3781-3) Soft Case (3340-3)	44.1	24.7	8,015	L
VB100-CP2	Vision 100 (3466-3), Two-Stage CF Pozi-Loc (3772-3) Spreader (3363-3) Soft Case (3340-3)	44.1	22.3	8,005	L
VB100-CP2M	Vision 100 (3466-3), Two-Stage CF Pozi-Loc (3772-3) Spread-Loc (3781-3) Soft Case (3340-3)	44.1	23.6	8,385	L
VB100-AP2S	Vision 100 (3466-3) Dual Telescopic Pan Bars (3219-91), Two-Stage Aluminum Pozi-Loc Tripod (3770-3) Skid (V3955-0002)	44.1	26.7	*8,055	L
Vision 250 For studio cameras and EFP configurations, e.g. larger lenses, viewfinders in counterbalance range 22-73 lbs					
3465-3S	Vision 250 Head (100/150 mm ball base, incl. 1 telescopic pan bar, camera plate and bowl clamp) - Black	72.8	13.4	7,960	L
3465-3F	Vision 250 Head (Quickfix/4 bolt flat base, incl. 1 telescopic pan bar, camera plate and bowl clamp) - Black	72.8	13.4	7,960	L
VB250-AP2	Vision 250 (3465-3) Dual Telescopic Pan Bars (3219-91), Two-Stage Aluminum Pozi-Loc Tripod (3880-3) Spreader (3313-3), Soft Case (3341-3)	72.8	38.1	11,205	L
VB250-AP2M	Vision 250 (3465-3) Dual Telescopic Pan Bars (3219-91), Two-Stage Aluminum Pozi-Loc Tripod (3880-3) Spread-Loc (3781-3), Soft Case (3341-3)	72.8	39.5	11,585	L
VB250-CP2	Vision 250 (3465-3) Dual Telescopic Pan Bars (3219-91), Two-Stage CF Pozi-Loc Tripod (3881-3) Spreader (3363-3), Soft Case (3341-3)	72.8	37.3	11,885	L
VB250-CP2M	Vision 250 (3465-3) Dual Telescopic Pan Bars (3219-91), Two-Stage CF Pozi-Loc Tripod (3881-3) Spread-Loc (3781-3), Soft Case (3341-3)	72.8	38.6	12,265	L
VB250-AP2S	Vision 250 (3465-3) Dual Telescopic Pan Bars (3219-91), Two-Stage Aluminum Pozi-Loc Tripod (3880-3), Skid (3497-3E)	72.8	43.7	**11,740	L

* Available with ENG Studio Skid instead of OB Skid for an additional cost of:-

145

** Available with EFP Studio Skid instead of OB Skid for an additional cost of:-

265

Vision Lightweight Accessories, Adaptors & Cases

Part No.	Description	Max Capacity lbs	Item Weight lbs	List \$	Cat.
Pan Bar Clamps					
3219-105	Extended Pan Bar Clamp for Vision 8AS, 10AS, 100 & 250 - Black		0.4	410	L
Second Pan Bars					
3219-110	Fixed length Pan Bar and Clamp for Vision 3AS & 5AS - Black		0.7	175	L
3219-101	Fixed length Pan Bar and Clamp for Vision 8AS, 10AS, 100 & 250 - Black		0.7	180	L
3219-91	Telescopic Pan Bar and Clamp for Vision 8AS, 10AS, 100 & 250 - Black		0.9	320	L
Camera Plates					
V4043-1901	Camera Mounting Plate for Vision 3AS & 5AS		0.2	145	L
V4045-1901	Camera Mounting Plate for Vision 8AS & 10AS		0.2	145	L
3364-900SP	Camera Mounting Plate for Vision 100 & 250		0.2	145	L
3330-33	Extended Camera Mounting Plate complete with 2 x 3/8" Screws for Vision 3AS, 5AS, 8AS, 10AS, 100 & 250		0.4	275	L
Alternative Bases					
3330-17	150mm Levelling Bowl Adaptor with Quickfix ring and 4-bolt flat base	99.2	2.4	310	L
3330-16	100mm Levelling Bowl Adaptor with Quickfix ring and 4-bolt flat base	99.2	1.1	265	L
3330-243	75mm to 100mm Bowl Adaptor		0.2	65	L
3104-3	4-Bolt Flat Base to 150mm Bowl Adaptor	99.2	1.8	455	L
3525-900SP	Ball Base for Vision 250		1.8	320	L
3525-901SP	Quickfix / 4-Bolt Flat Base for Vision 250		1.3	320	L
Camera Fixing Screws					
3330-221	1/4" Camera Fixing Screw*		0.2	20	L
3170-202	3/8" Camera Fixing Screw*		0.2	20	L
V4045-1006	1/4" Pin Assembly (Vision AS only)		0.2	40	L
V4045-2074	3/8" Camera Fixing Screw (Vision AS only)		0.2	40	L
Vision Bowl Clamp Knob					
3330-30	Vision Bowl Clamp Knob		0.2	30	L

* Suitable for all Vision heads excluding Vision AS heads

Vision Lightweight Accessories, Adaptors & Cases

Part No.	Description	Max Capacity lbs	Item Weight lbs	List \$	Cat.
Quickfix® Adaptors					
3100-3	Quickfix Adaptor with 4-bolt flat base	99.2	1.5	680	L
3101-3	Quickfix ring to fit 4-bolt flat base head		0.9	190	L
3144-3	Quickfix Adaptor with 100mm ball base	99.2	2.9	1,450	L
3143-3	Quickfix Adaptor with 150mm ball base	99.2	3.3	1,095	L
3328-30	Quickfix Levelling Adaptor with 4-bolt flat base	99.2	3.1	1,315	L
3490-3	Heavy Duty Quickfix Adaptor (100kg payload)	220.5	2.9	680	S
Quickfit® Wedges					
3761-3	EFP Quickfit Automatic Adaptor with 3761-13 Wedge	99.2	1.1	775	L
3761-13	EFP Quickfit Wedge incl. 2 x 3/8" screws	99.2	0.4	165	L
3471-3	ENG Quickfit Automatic Adaptor with 3763-11 Wedge - Black	55.1	1.1	390	L
3763-11	ENG Quickfit Wedge incl. 2 x 3/8" screws	44.1	0.2	160	L
Carrying Cases					
3334-3	Soft Case for Vision 3AS, 5AS, 8AS, 10AS & 100 + Single Stage Tripod		3.7	240	L
3358-3	Soft Case for Vision 3AS, 5AS, 8AS, 10AS & 100 + Two-Stage Tripod		3.5	305	L
3340-3	Soft Case for Vision 3AS, 5AS, 8AS, 10AS & 100 + Two-Stage Tripod		7.9	465	L
3341-3	Soft Case for Vision 100 & 250 + EFP Tripod		9.9	570	L
3440-202	Soft Case for Vision ENG Skid		7.1	285	L
3908-3	Hard Transit Case for Single Stage ENG*		17.0	670	L
3909-3	Hard Transit Case for Two-Stage ENG*		16.8	710	L
3910-3	Hard Transit Case for EFP*		18.1	845	L
4337-3	Octagonal Thermoplastic Case for Vision 3AS & 5AS Single Stage ENG Tripod Systems*		7.0	525	L
4338-3	Octagonal Thermoplastic Case for Vision 3AS, 5AS, 8AS, 10AS & 100 Two-Stage ENG Tripod Systems*		10.0	615	L
5338-3	Octagonal Thermoplastic Case for Vision 250 EFP Tripod Systems*		15.0	670	L

* Hard Cases are designed for transit protection for Vision Systems in Soft Cases
Octagonal cases do not accept Soft Cases

Tripods, Spreaders & Dollies

Part No.	Description	Max Capacity lbs	Item Weight lbs	List \$	Cat.
*Pozi-Loc Tripods					
Carbon Fiber					
3777-3	Single Stage ENG (75mm bowl) Carbon Fiber Pozi-Loc Tripod	55.1	5.1	1,050	L
3776-3	Two-Stage ENG (75mm bowl) Carbon Fiber Pozi-Loc Tripod	55.1	5.7	1,340	L
3773-3	Single Stage ENG (100mm bowl) Carbon Fiber Pozi-Loc Tripod	55.1	4.9	1,060	L
3772-3	Two-Stage ENG (100mm bowl) Carbon Fiber Pozi-Loc Tripod	55.1	5.7	1,350	L
3884-3	Two-Stage EFP (100 mm bowl) Carbon Fiber Pozi-Loc Tripod	99.2	12.1	2,245	L
3881-3	Two-Stage EFP (150 mm bowl) Carbon Fiber Pozi-Loc Tripod	99.2	12.1	2,595	L
Aluminum					
V3822-0001	Single Stage ENG (75mm bowl) Aluminum Pozi-Loc Tripod - Black	55.1	6.2	690	L
3819-3	Two-Stage ENG (75mm bowl) Aluminum Pozi-Loc Tripod - Black	55.1	7.1	970	L
V3823-0001	Single Stage ENG (100mm bowl) Aluminum Pozi-Loc Tripod - Black	55.1	6.2	700	L
3821-3	Two-Stage ENG (100mm bowl) Aluminum Pozi-Loc Tripod - Black	55.1	6.8	980	L
3883-3	Two-Stage EFP (100 mm bowl) Aluminum Pozi-Loc Tripod - Grey	99.2	12.8	1,740	L
3880-3	Two-Stage EFP (150 mm bowl) Aluminum Pozi-Loc Tripod - Grey	99.2	12.8	1,915	L
3779-3	ENG (75mm bowl) Aluminum Pozi-Loc Baby Legs - Grey	55.1	4.6	970	L
3778-3	ENG (100mm bowl) Aluminum Pozi-Loc Baby Legs - Grey	55.1	4.6	980	L
3882-3	EFP (150mm bowl) Aluminum Pozi-Loc Baby Legs - Grey	99.2	8.8	1,715	L
Carrying Strap					
3425-3P	Tripod Carrying Strap - fits all Pozi-Loc Tripods		0.4	130	L
Spreaders					
3313-3	Floor Spreader, Lightweight - Grey		1.5	440	L
3363-3	Floor Spreader, Lightweight - Black		1.5	440	L
3367-3	Floor Spreader, Heavy Duty Flexible		2.4	620	L
3378-902SP	Set of 3 Carpet Feet		0.7	115	L
3781-3	Spread-Loc Mid-Level Spreader c/w set of 3 carpet feet		2.1	820	L
3379-3	Mini Floor Spreader - for Baby Legs tripods		1.1	360	L

* Pozi-Loc Tripods are not supplied with a Spreader

Tripods, Spreaders & Dollies

Part No.	Description	Max Capacity lbs	Item Weight lbs	List \$	Cat.
ENG/EFP Skids/Dollies					
V3955-0002	ENG OB (125mm wheels)	88.2	13.2	1,005	L
V3955-0001	ENG Studio (100mm wheels, cable guards, track locks)	110.2	12.8	1,135	L
V3955-0003	ENG OB Small Diameter (125mm wheels)	110.2	13.0	1,135	L
3497-3E	EFP OB (125mm wheels)	220.5	17.0	1,545	L
3497-3G	EFP Studio (125mm wheels, cable guards)	220.5	20.1	2,035	L

Heavy Duty Tripods/Skids

3901-3	HDT -1 Single stage heavy duty tripod with mid level spreader	308.6	30.6	3,160	S
3902-3	HDT -2 Two-Stage heavy duty tripod with mid level spreader	264.6	34.4	4,455	S
3497-3B	OB Skid for HDT-1 and HDT-2	352.7	19.4	1,915	S
3497-3C	Studio Skid for HDT-1 and HDT-2	352.7	20.5	1,970	S
3370-3	Elevation Unit for HDT-1	249.1	11.0	3,230	S
3369-57	Tracking Skid for Osprey Columns & HDT Tripods	352.7	24.3	4,180	S

Heavy Duty Tripod Accessories

3368-24B	Vinten 4-Bolt fixing adaptor to fit Skids - Black	198.4	6.6	620	S
3497-900SP	Foot Support Clamp Assembly - set of 3	352.7	1.3	260	S
3411-3S	Tube for HDT-1 Tripod		6.6	620	S
3411-3T	Tube for HDT-2 Tripod		6.8	620	S
3535-3	Soft case for HDT-1 Tripod		5.5	470	S
3343-3	Soft case for HDT-2 Tripod		5.5	470	S

Studio/OB Heads

Part No.	Description	Max Capacity lbs	Item Weight lbs	List \$	Cat.
*Vector Pan & Tilt Heads					
3805-3S	Vector 450 Head, 150mm Bowl, with EFP Quickfit Automatic Adaptor (3761-3) with 3761-13 Wedge	99.2	34.8	13,870	S
3805-3F	Vector 450 Head, Flat base, with EFP Quickfit Automatic Adaptor (3761-3) with 3761-13 Wedge	99.2	34.2	13,870	S
V3998-0001	Vector 90 Head	198.4	36.2	12,165	S
V3996-0001	Vector 950 Head	264.6	36.6	17,080	S
V4034-0001	Vector 750 Head	165.3	39.5	18,115	S

Vector Active

Vector 950 Active - C	Vector 950 Active c/w all cables	266.8	36.6	28,260	S
V3984-0001	Vector 950 OE (Optical Encoders)	264.6	36.8	22,930	S
ASB-VIN-C	"Active" serial box and cables		4.4	5,335	S

* All Vector Heads include full size Telescopic Pan Bar, Standard Short Pan Bar, Male Wedge Plate and Mitchell Base.

Studio/OB Head Accessories

Part No.	Description	Max Capacity lbs	Item Weight lbs	List \$	Cat.
Pan Bars					
3219-93	Extra Short Pan Bar & Clamp for Vector 950, 750, 450 & 90 - Black		1.1	260	S
3219-94	Short Pan Bar & Clamp for Vector 950, 750, 450 & 90 - Black		1.3	260	S
3219-82	Telescopic Pan Bar & Clamp for Vector 950, 750, 450 & 90 - Black		1.8	500	S
3219-84	Foam Handle Sleeve - Black		0.2	365	S
Camera Mounting Systems					
3053-3	Standard Wedge Plate for Vector 950, 750 & 90		2.0	420	S
3391-3	Short Wedge Plate for Vector 950, 750 & 90		1.1	420	S
3384-11	Intermediate Plate		1.1	225	S
Transit Cases					
3907-3	Transit case - Vector 450, 950 & 90 Head		19.8	1,400	S
3355-3	Transit case - Vector 750 Head		21.6	1,400	S
Head Base Fixings					
3103-3	Mitchell Adaptor 4-bolt flat base to Heavy Duty Tripod	220.5	2.0	660	S
3724-3	Mitchell Spider with Wingnut		2.2	420	S
3055-3B	Mitchell Spider Adaptor for pedestals - Black	220.5	1.8	495	S
3407-1A	Scaffold Clamp	396.8	6.8	1,310	S
3155-3	200mm Hi-Hat, 4-bolt flat base to 4-bolt flat base - Grey		4.6	545	S
3155-3B	200mm Hi-Hat, 4-bolt flat base to 4-bolt flat base - Black		4.6	545	S
3354-900SP	20mm Spacer Ring, 4-bolt flat base to 4-bolt flat base		1.1	210	S
3750-3	Mitchell Base with Wingnut	220.5	2.2	605	S
1212-7	Adaptor Ring for 3750-3			265	S
3432-201	Wingnut for 3724-3 & 3750-3			140	S
3525-21	Side Monitor Bracket for Vision 250		0.2	395	L
3803-27	Side Monitor Bracket for Vector 450, 90 & 950		0.4	595	S
V4034-1010	Side Monitor Bracket for Vector 750		0.4	560	S

Studio/OB Pedestals

Part No.	Description	Max Capacity lbs	Item Weight lbs	List \$	Cat.
Vision Ped Plus					
V3951-0001	Vision Ped Plus Studio Pedestal	66.1	30.2	5,335	L
Pro-Ped					
3983-3B	Pro-Ped OB Pedestal (150mm wheels, track locks and trim weights)	121.3	61.7	10,300	S
3983-3C	Pro-Ped Studio Pedestal (125mm wheels, cable guards and track locks)	121.3	62.8	10,610	S
Osprey					
V3950-0001	Osprey Light Studio Pedestal	88.2	48.1	11,700	S
3574-3C	Osprey Elite, Two-Stage Studio Pedestal	165.3	100.8	23,030	S
3574-3B	Osprey Elite, Two-Stage OB Pedestal	165.3	107.4	23,030	S
Quartz					
3825-3	Quartz One, Single Stage Pedestal	209.4	197.3	25,825	S
3826-3	Quartz Two, Two-Stage Pedestal	176.4	196.0	30,535	S
Quattro					
V3852-0003	Quattro-L, 4-Stage Pedestal	231.5	348.3	48,645	S
V4002-0002	Quattro-OBL, 4-Stage Pedestal	231.5	255.7	46,525	S
V3963-0002	Quattro-SL, 4-Stage Pedestal	176.4	299.8	39,330	S

Studio/OB Pedestal Accessories

Part No.	Description	Max Capacity lbs	Item Weight lbs	List \$	Cat.
Wheel Sets					
3329-30	Osprey OB wheel set (set of 3)		17.9	2,385	S
3329-44	Osprey OB wheel cable guards (set of 3)		4.0	620	S
3429-904SP	Set of soft wheels for Quartz One and Quartz Two		18.7	1,915	S
3446-910SP	Studio wheel set for Quattro-OB and OBL, 160mm (set of 3 incl. cable guards)		22.9	3,365	S
3369-57	Tracking Skid for Osprey Columns & HDT Tripods	352.7	24.3	4,180	S
V3950-1110	Osprey Light to Tracking Base Adaptor (for use with 3369-57)		4.9	615	S
Steering Rings					
3429-21	Large Steering Ring 63.5cm for Osprey Elite (standard on Quartz)		1.8	420	S
3374-17	Small Steering Ring 53cm for Quartz (standard on Osprey Elite)		1.5	420	S
3445-42	Small Steering Ring 59cm for Quattro (standard on Quattro-OBL)		2.6	705	S
3445-43	Large Steering Ring 74cm for Quattro-OBL (Standard on Quattro-L & SL)		4.9	705	S
3329-31	Tiller Bar for Osprey		1.5	480	S
Charging					
3357-3	Portable Manual Pump for Osprey, Vision Ped Plus, Pro-Ped, Quartz & Quattro		3.1	930	S
10072	Nitrogen Regulator (requires 1503-4 Hose)		3.3	825	S
1503-4	High Pressure Hose		2.0	135	S
Document Holders					
3384-12	Document Holder for Quattro Pedestals (not suitable for the Quattro SL)			235	S

Standard Conditions of Sale Camera Dynamics Ltd

DEFINITION OF TERMS

In these terms:

The "Company" means Camera Dynamics Inc.

The "Goods" means all goods and services to be supplied under this "Quotation".

BUYER'S ACCEPTANCE

These General Terms and Conditions of Sale ("Terms and Conditions") shall apply to every sale by the Company of its Goods. By placing, confirming or accepting delivery of any order for Goods, you (hereinafter referred to as the "Buyer") agree to these Terms and Conditions of Sale, which shall supersede and take precedence over any other terms and conditions which may be supplied by Buyer with respect to the sale and shipment of the Goods hereunder.

QUOTATION VALIDITY

Quotations remain valid for a period of 30 days from the date indicated therein unless otherwise stated or previously withdrawn. The Company reserves the right to accept or refuse Buyer's order for Goods at any time by sending written confirmation or refusal to BUYER. No order of Goods may be cancelled or modified by Buyer except as provided herein.

CANCELLATION

An order placed by Buyer cannot be cancelled, suspended, or extended without the Company's express prior written consent and then only upon terms that will indemnify the Company against loss and provide the Company with a reasonable profit for its time, services, use of facilities and otherwise. Buyer will be obligated to accept any Goods shipped or delivered by the Company prior to cancellation, suspension or extension of the order. In the event of such cancellation or modification to any order of Goods by Buyer (with the Company's express prior written consent), Buyer will be required to pay the Company as liquidated damages (and not by way of penalty), an amount equivalent to twenty five (25%) percent of the value of Goods to which the cancelled or revoked order applied to, without prejudice to compensation of any further damages.

The Company reserves the right to suspend or terminate its performance of any order from Buyer, even if the order has been confirmed by the Company, or to condition delivery of the Goods upon advance payment in full of the price and / or any other sum that may be due from Buyer to the Company. The Company may cancel any order, in whole or in part, without liability, if Buyer becomes insolvent or suspends any of its operations or if any petition is filed or proceeding commenced by or against Buyer under any state or federal law relating to bankruptcy, reorganization, receivership, or assignment for the benefit of creditors, or if the Company believes that Buyer's ability to make payment is or may become impaired or if Buyer is in default of payment or otherwise in default under any order or contract with the Company. The Company also reserves the right to cancel, in whole or in part, or to suspend or delay, in whole or in part, any orders due to (i) the unusually large size of an order, (ii) shortages of, or failure of the Company's suppliers to deliver, or (iii) any other event of force majeure or beyond the Company's control.

PRICE

Unless otherwise stated, the price is packed ex-works and excludes installation and training. All prices are stated exclusive of any applicable taxes. The price of Goods ("Price") is that which is set forth in this Quotation or otherwise indicated to Buyer by the Company.

RISK

Unless otherwise specified by the Company, the Goods will be sold to Buyer, "EXW" (as defined in "Incoterms 2000), the Company's facility or such other location as shall be indicated to Buyer by the Company (the "Point of Delivery"). Risk of loss or damage to the Goods shall pass to Buyer when Goods are placed at the disposal of Buyer or Buyer's carrier at the Point of Delivery (collection by Buyer or Buyer's carrier shall constitute a delivery).

SPECIFICATIONS

The Company reserve the right to alter specifications, where necessary, to comply with regulations or legal requirements or where such alterations do not in the Company's reasonable opinion materially affect your expressed requirements

"COMPANY" TRADEMARKS

Buyer acknowledges its awareness of the fact that the Company is the sole and exclusive owner of all trademarks, marks, service marks, tradenames, logos, symbols, trade dress or other intellectual property relating to, used in connection with, or derived from, it's name, services or products (the "Trademarks"). Buyer shall use and display the Trademarks only in such form and manner as provided and pre-approved in writing by the Company, including without limitation, use of the Trademarks on advertising, promotional or publicity materials, point-of-sale displays, websites, stationary or business cards and shall not use the Trademarks on any such items unless so approved. Buyer may not register any similar trademarks, marks, logos, trade dress or symbols. Buyer acknowledges the exclusive right, title and interest of the Company in and to the Trademarks, and shall not at any time contest or in any way impair such right, title and interest, or indicate to the public in any manner whatsoever that Buyer has or has ever had an interest in the Trademarks other than the right to use them as specified herein. Buyer shall not attempt to acquire any rights in connection with the Trademarks or other intellectual property of the Company. Any use by Buyer of the Trademarks shall not in any way create any right, title or interest in or to the Trademarks or any other intellectual property of the Company. Upon written notice by the Company, Buyer shall immediately discontinue any and all use of the Trademarks, and shall, within five (5) business days of such termination, return to the Company or destroy any printed material, and all signs, upon which any of the Trademarks appear in any form whatsoever. Should Buyer fail to comply with these obligations, the Company shall have the right to immediately terminate any orders with Buyer, without prejudice to damages against Buyer. In addition, with respect to any use of the Trademarks on the internet, any use of the Trademarks, including the form and manner, shall be conditional upon the prior written approval of the Company.

Standard Conditions of Sale Camera Dynamics Inc

PROPRIETARY RIGHTS

All rights in design, patents and copyrights of the Company (the "Intellectual Property") used on or in connection with the Goods are proprietary and shall remain the exclusive property of the Company. Buyer shall not either directly or indirectly reproduce or simulate, or cause or allow anyone to reproduce or simulate, any Intellectual Property. No right in pattern and design with respect to the Goods hereunder passes to the Buyer. Any form of reproduction or use of the Intellectual Property (or any other distinguishing marks applied to the Goods) including but not limited to use outside Buyers sales outlet and for purposes other than those agreed by the Company (particularly with respect to internet sites or any other forms of electronic sales), is strictly prohibited without the prior written authorization of the Company. Buyer shall not, at any time, knowingly or intentionally, engage in any activity or perform or permit any act which may in any way adversely affect any rights of the Company to the Intellectual Property or any registrations or applications for registration thereof or which may directly or indirectly reduce the value of the Intellectual Property or derogate or detract from the repute thereof.

COMPLIANCE

You are responsible for complying with all federal, state and local laws with respect to the importation and sale of the Goods.

DELIVERY TERMS

The terms for delivery indicated in this Quotation, in the confirmation of order or elsewhere are not binding upon the Company, but merely indicative. The Company is therefore entitled to deliver all or part of any order of Goods in advance, or within a reasonable delay period, without entitling Buyer to request full or partial termination of the order, claim compensation or indemnity, or invoke the responsibility of the Company for any other reason. The Company shall not, under any circumstances, be responsible for delays in delivery due to force majeure, non-compliance by third parties, provisions put into force by public authorities, strikes, etc. Should the Buyer refuse to receive all or part of the Goods delivered at the Point of Delivery the Company may, at its own choice, require compliance with the contract, or declare said contract terminated in full or in part. In both the above cases, the Company maintains the right to claim compensation for damage. It is expressly stated that the Company shall not be considered responsible for any risks or expenses that may derive from or relate to holding the Goods in store.

INSTALLATION

Where the Agreement includes installation Buyer will upon request provide all necessary site access and facilities to enable the Company's engineers to carry out installation of equipment promptly and without delay. The Company will use all commercially reasonable efforts to obtain visas and work permits to enable its engineers to carry out the installation. Where required you will assist in obtaining visas and work permits. If, despite the use of such efforts, the Company is unable to obtain visas and work permits it shall be excused from further performance of the obligations to install equipment.

WARRANTY

The Company warrants, to the original purchaser only, that this product will be free from defects in materials and workmanship under normal and proper usage for a period of one (1) year from the date of purchase. The Company's obligation under this warranty is limited to replacing or repairing, at the Company's option, products or parts determined by the Company to be defective in materials or workmanship. This parts and labour warranty is subject to the terms and conditions set forth below. This warranty does not extend to faults caused by tampering or improper use of the Goods. This warranty does not extend to surface damage or to any deformity in the Goods, colors, numbers, finishes and assortments, nor to any irregularity in the packing and boxes, that fall within the normal tolerances in use at the time and in the place of delivery to the shipping agent or carrier. The Company makes no other warranty or representation with respect to the Goods, either express or implied, including without limitation, that of merchantability or fitness for a particular use, or of any factors of quality, except as provided herein. Buyer is obliged to check the Goods immediately upon their arrival. Any claim for defects, including hidden faults, or failure of the Goods to comply with these Terms and Conditions, must be made by Buyer, upon penalty of forfeiture, within thirty (30) days from receipt of the Goods. No action for breach of this warranty may be commenced more than one (1) year after the accrual of the cause of action. The foregoing constitutes Buyer's sole and exclusive remedy and the Company's sole obligation with respect to Goods furnished hereunder.

EXTENDED WARRANTY

By completing and registering online, the warranty on The Company's hardware products described above is extended from one (1) to two (2) years from the date of purchase subject to the terms and conditions below. Exceptions to the extended warranty apply to batteries and software support which are only covered for maximum of 1-year.

Terms & Conditions

Notification of Warranty Claims

All warranty claims must be made in writing and must include date and proof of purchase.

Extent of liability

This warranty is given to the original purchaser of the goods only and cannot be assigned, except with the prior written agreement of The Company. Subject to these terms and conditions, The Company will repair or replace, free of charge, any product or defective part provided that the defective part of the product has been returned to The Company or its authorized agent, freight pre-paid. If any defective product has been superseded and cannot be repaired, replacement will be made with a current model of the same quality and equivalent function.

Exclusion of Liability

This warranty does not cover any damage, defects or costs caused by: (1) modification, alteration, repair or service of the product by anyone other than The Company or its authorized representative; (2) physical abuse to, overload of, or misuse of, the product, or operation of the product in a manner contrary to the instructions accompanying the product; (3) any use of the product other than that for which it was intended; or (4) shipment of the product to The Company for service.

UNDER NO CIRCUMSTANCES SHALL THE COMPANY BE LIABLE FOR ANY SPECIAL, INCIDENTAL OR CONSEQUENTIAL DAMAGES, INCLUDING, BUT NOT LIMITED TO, PERSONAL INJURY, PROPERTY DAMAGE, DAMAGE TO OR LOSS OF EQUIPMENT, LOST PROFITS OR REVENUE, COSTS OF RENTING REPLACEMENTS AND OTHER ADDITIONAL EXPENSES, EVEN IF THE COMPANY HAS BEEN ADVISED OF THE POSSIBILITY OF SUCH DAMAGES, SOME JURISDICTIONS DO NOT ALLOW THE EXCLUSION OR LIMITATION OF INCIDENTAL OR CONSEQUENTIAL DAMAGES, SO THE ABOVE LIMITATION OR EXCLUSION MAY NOT APPLY TO YOU.

ANY EXPRESS WARRANTY NOT PROVIDED HEREIN, AND ANY REMEDY WHICH, BUT FOR THE WARRANTY CONTAINED HEREIN, MIGHT ARISE BY IMPLICATION OR OPERATION OF LAW IS HEREBY EXCLUDED AND DISCLAIMED INCLUDING THE IMPLIED WARRANTIES OF MERCHANTABILITY AND OF FITNESS FOR A PARTICULAR PURPOSE. SOME JURISDICTIONS DO NOT ALLOW LIMITATIONS ON IMPLIED WARRANTIES, SO THE ABOVE LIMITATION MAY NOT APPLY TO YOU.

THIS WARRANTY GIVES YOU SPECIFIC LEGAL RIGHTS AND YOU MAY ALSO HAVE OTHER RIGHTS, WHICH MAY VARY FROM JURISDICTION TO JURISDICTION.

PAYMENT

Unless otherwise agreed, an irrevocable Letter of Credit confirmed by a bank approved by the Company is required. Where an agreed line of credit has been opened with the Company, payment terms are strictly 30 days from the date of invoice. If payment is not made on the due date, the Company may in addition to all other remedies it has, suspend performance of this and any other agreement with you and/or charge you interest (both before and after judgment) calculated at a daily rate equivalent to 5% over the base rate of Wachovia Bank, N.A.

RETENTION OF TITLE

The property in the Goods shall not pass to you until they have been paid for in full and all other amounts owed by you to the Company on any account have been paid. You may not sell the Goods until the property has passed.

INCOTERMS

The interpretation placed by Incoterms 1990 on terms of trading obtained in any order resulting from this quotation shall apply.

FORBEARANCE

No failure by the Company to exercise any of its rights at any time shall prejudice the rights of the Company under the Agreement or affect the interpretation of future agreements.

RELIANCE

By placing your order you acknowledge that you place no reliance on any statement which has been made or may be made concerning the order other than one made by us in writing and any statement is excluded from the agreement.

FORCE MAJEURE

The Company shall not be liable for any delay in delivery, or failure to deliver, due to any cause beyond the Company's control, including but not limited to present or future statute, law, ordinance, regulation, order, judgment or decree, shortages, act of God, earthquake, epidemic, explosion, flood, lockout, boycott, strike, riot, terrorism, war or armed conflict (whether or not there has been an official declaration of war or official statement as to the existence of a state of war), or act of a public enemy, delay in transportation or lack of transportation facilities.

CONTRACT

This is an indicative quotation and does not form a contract until we accept in writing any offer you make. Any contract entered into would be subject to these Standard Conditions of Sale unless otherwise agreed in writing.

Terms & Conditions

GOVERNING LAW / ARBITRATION

This Quotation and Terms and Conditions shall be governed by the laws of the State of New York applicable to contracts made and to be performed in that state. Any controversy or claims arising out of or relating to any sale hereunder shall be determined and settled by arbitration in New York City, in accordance with the Commercial Rules of the American Arbitration Association by a panel of three (3) arbitrators. The parties agree that the arbitrators shall have the power to award damages, injunctive relief and reasonable attorneys' fees and expenses to any party in such arbitration. The arbitration award will be final as between the parties and judgment thereon may be entered in any court of competent jurisdiction. Any party hereto may make an application for the issuance of a temporary restraining order and/or preliminary injunction from any court of competent jurisdiction pending the determination of any controversy pursuant to the arbitration provisions set forth in this Article. The parties hereby consent and submit to the personal jurisdiction of the United States District Court for the Southern District of New York and any New York State court of competent jurisdiction located in New York County, New York in any suit, action or proceeding brought in connection with arbitration hereunder.

STATUTE OF LIMITATIONS

Any action for breach of contract hereunder, except for actions by the Company to collect sums due for Goods sold and delivered, must be commenced within one (1) year of accrual.

SEVERABILITY

If any provision of this Quotation and Terms and Conditions shall, to any extent, be invalid or unenforceable, the remainder of the Quotation and Terms and Conditions shall not be affected.

WAIVER; MERGER; MODIFICATION

No failure of the Company to insist upon strict compliance by Buyer with this Quotation and these Terms and Conditions or to exercise any right accruing from any default of Buyer shall impair the Company's rights in case Buyer's default continues or in case of any subsequent default by Buyer.

Jan. 1, 2009

Notes

Sales Offices

CHINA

The Vitec Group plc China
Rm 706, Tower B
Derun Building
YongAn Dongli A No 8
Jianwai Ave, Chaoyang District
Beijing, China 100022

t +86 10 8528 8748
f +86 10 8528 8749

FRANCE

Camera Dynamics sarl
171, Avenue des Grésillons
92635 GENNEVILLIERS Cedex
France

t +33 820 821 336
f +33 825 826 181

GERMANY

Camera Dynamics GmbH
Gebäude 16
Planiger Straße 34
55543 Bad Kreuznach
Germany

t +49 671 / 483 43 30
f +49 671 / 483 43 50

Camera Dynamics GmbH
Erfurter Straße 16
85386 Eching
Germany

t +49 89 / 321 58 200
f +49 89 / 321 58 227

JAPAN

Vinten Japan KK
P.A. Bldg. 5F
3-12-6 Aobadai
Meguro-ku Tokyo 153-0042
Japan

t +81 3 5456 4155
f +81 3 5456 4156

SINGAPORE

Camera Dynamics Pte Ltd
6 New Industrial Road
#02-02 Hoe Huat Industrial
Building
Singapore 536199

t +65 6297 5776
f +65 6297 5778

UK

Camera Dynamics Ltd
William Vinten Building
Western Way
Bury St Edmunds
Suffolk IP33 3TB
UK

t +44 1284 752 121
f +44 1284 750 560
Sales Fax +44 1284 757 929

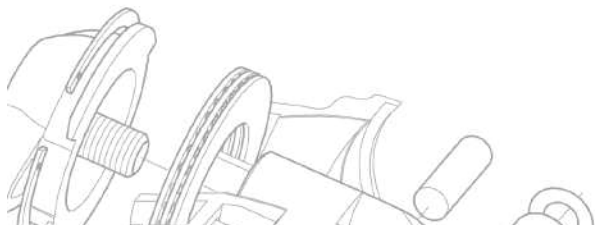
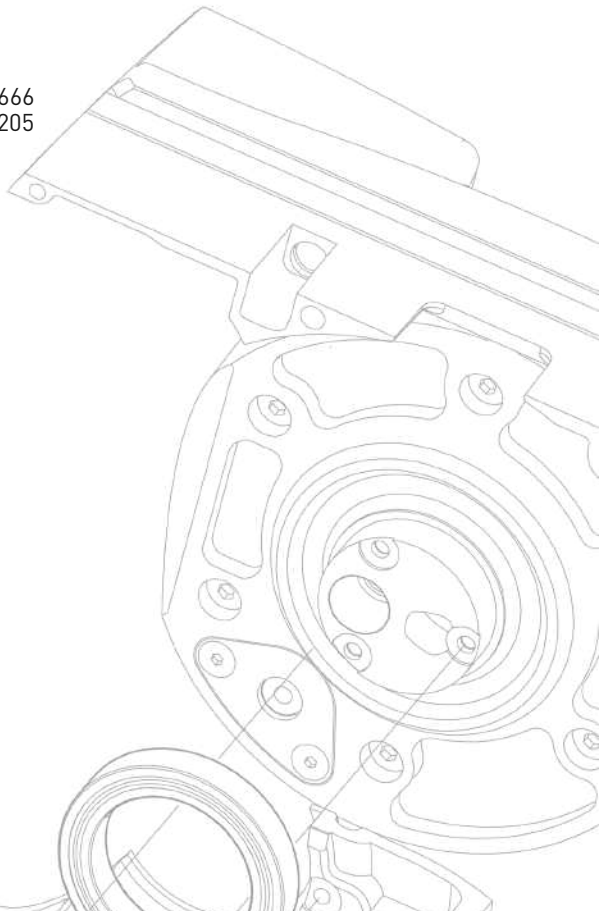
USA

Camera Dynamics Inc.
709 Executive Blvd
Valley Cottage
NY 10989
USA

t +1 845 268 0100
f +1 845 268 0113
Toll Free Sales: 1 888 2 Vinten

2701 North Ontario St.
Burbank
CA 91504
USA

t +1 818 847 8666
f +1 818 847 1205



For more information visit www.vinten.com

Vinten

simply perfection

Changes in Product Specification

Vinten reserve the right to alter specifications or change materials where absolutely necessary. All sizes shown throughout this brochure are approximate and colors shown are as accurate as modern reproduction methods will allow. No liability can be accepted for any variation.

©2009 The Vitec Group plc
©VINTEN, VISION, VECTOR, QUICKFIX & QUICKFIT are registered trademarks of The Vitec Group plc.

QUALITY SYSTEMS APPROVED TO ISO 9001:2000
Certificate No: Q09508
V2/04/09

